



CITROCASA
**FANTASTIC
ADVANCE★**

CITROCASA®
JUICERS + ORANGES

ENG

TWO BASIC MODELS
FOR FOUR
APPLICATIONS

PRESSING KIT
FOR SMALLER FRUIT

INTELLIGENT
STOP

ADAPTABLE
BASE PLATE



NEW

- ★ ABSOLUTE HYGIENE & SAFETY
- ★ ABSOLUTE TIME & COST-SAVINGS

ADVANCE★LINE

CROSS HOLDER



MTS MANUAL
TRANSPORT
SYSTEM



DOUBLE COVER



DOUBLE COVER

The Double Cover separates the Food Zone from the Engine Zone. It can be removed and cleaned in the dishwasher for improved hygiene and increased efficiency.



CROSS HOLDER

The Cross Holder secures 7 fastening points with one single screw. This saves time, cuts costs, and increases operational safety.



SCS SOFT CUTTING SYSTEM

The Soft Cutting System (SCS) with the Up & Down blade provides a precise cut without tearing the peel. The juice does not get contaminated with bitter peel substances.



MANUAL TRANSPORT SYSTEM (MTS)

The Manual Transport System (MTS) helps keep the sieve free of pulp and seeds. Without having to remove it, the sieve can be cleaned with a single swipe.



INTELLIGENT STOP

This feature provides the freedom to program the machine to stop after a certain amount of fruit has been pressed and the peel container should be emptied. An acoustic signal sounds and the machine stops automatically.



MODEL INTELLIGENCE

In both, the manual and the automatic feeding versions, it is possible to retrofit the machine to go from self-service to staff-operated and vice versa.



LEMON KIT

With the optional small pressing kit you can press smaller fruit ranging from 50 to 65 mm (1.96 to 2.55 inches) in diameter, such as lemons, limes, or tangerines.



ADAPTABLE BASE PLATE

The adaptable base plate allows for easy modular installation of the machine as a tabletop, countertop, or cabinet unit.



STAINLESS STEEL

All our machines are made of food-grade stainless steel. This means improved hygiene, outstanding product safety, and excellent value retention.

ABSOLUTE SAFETY DUE TO OUR 2-ZONE-TECHNOLOGY

[ENGINE ZONE] [FOOD ZONE]

Safety is our first priority.

Citrocasa's 2-Zone Technology, the complete separation of Engine Zone and Food Zone, allows for quick and easy cleaning of all the parts that come into contact with the juice. The results are increased hygiene, safety, and time saving.

[ENGINE ZONE]

The Engine Zone does not come into contact with the juice during the pressing operation. This greatly reduces machine-cleaning times and increases hygiene.





[FOOD ZONE]

The Food Zone components, which come into contact with the juice during the pressing operation, can be removed from the machine and cleaned in the dishwasher. This saves time, cuts costs, and increases hygiene and safety levels.



CROSS HOLDER

Fast disassembly and increased operational safety



Easy disassembly.

Our patented Cross Holder secures 7 fastening points with one single screw. The pressing and cutting elements can be disassembled for cleaning and reassembled again in a matter of minutes.



TIME SAVING



PROFITABILITY



OPERATIONAL SAFETY



DOUBLE COVER

Enormous time saving
Highest hygiene and safety levels



Fast and effective cleaning.

The Double Cover is the key component of our 2-Zone Technology. All Food Zone parts, including the back wall (Double Cover) can be removed for cleaning, making the juicing operation extremely hygienic, safe, and efficient.



TIME SAVING



PROFITABILITY



HYGIENE



2-LEVEL FEEDING SYSTEM

Highest operational safety and hygiene



Everything revolves
around efficiency.

The rotating 2-Level Feeding Plate ensures that the fruit doesn't get crushed by the other fruit in the hopper, even when the fruit basket is filled completely.



PROFITABILITY



OPERATIONAL
SAFETY

SCS SOFT CUTTING SYSTEM

Highest quality, best taste



Only a perfect cut can ensure highest juice quality.

Thanks to our SCS Up & Down Soft Cutting system, the juice from a Citrocasas Fantastic is very pure. Precise cutting means that the peel doesn't tear and the juice doesn't get contaminated with bitter peel oils and substances. The result is simply pure fruit goodness.



JUICE PURITY



HYGIENE



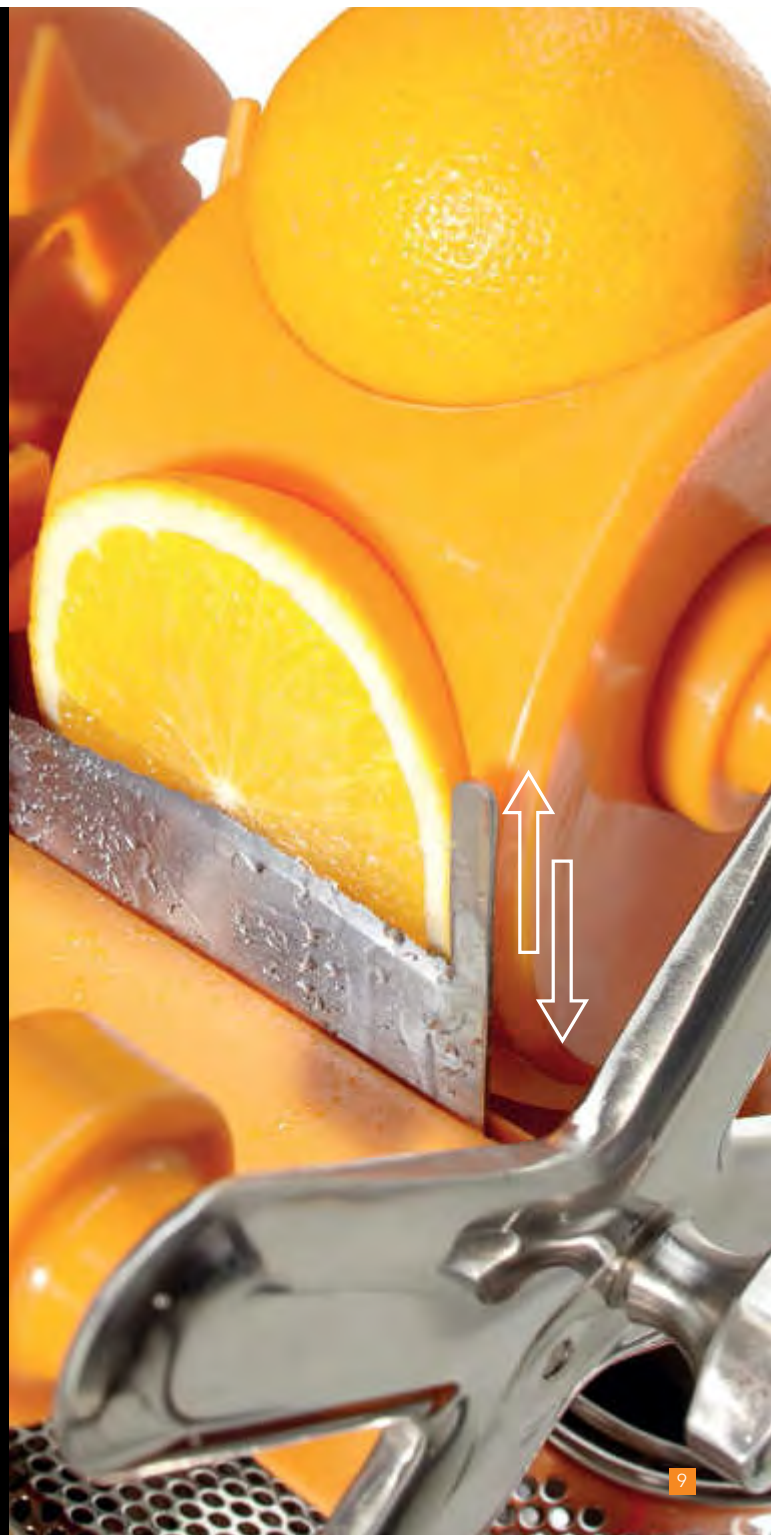
PROFITABILITY



Without SCS Up & Down:
torn



With SCS Up & Down:
neatly cut



MANUAL TRANSPORT SYSTEM (MTS)

Time saving, hygiene, and the highest juice quality



Hygiene, time efficiency, and taste.

The MTS (Manual Transport System) helps keep the sieve clean of seeds and pulp without having to remove it. The Transport System greatly reduces labor, cuts costs, and maximizes hygiene and juice quality.



JUICE PURITY



HYGIENE



PROFITABILITY



TIME SAVING

INTELLIGENT STOP & MODEL INTELLIGENCE

Increased operational safety and hygiene



Safety is a question of intelligence.

The programmable auto stop indicates when the peel bucket should be emptied to help avoid peel jams and juice contamination. It can be set for different peel bucket and fruit sizes.



HYGIENE



OPERATIONAL SAFETY

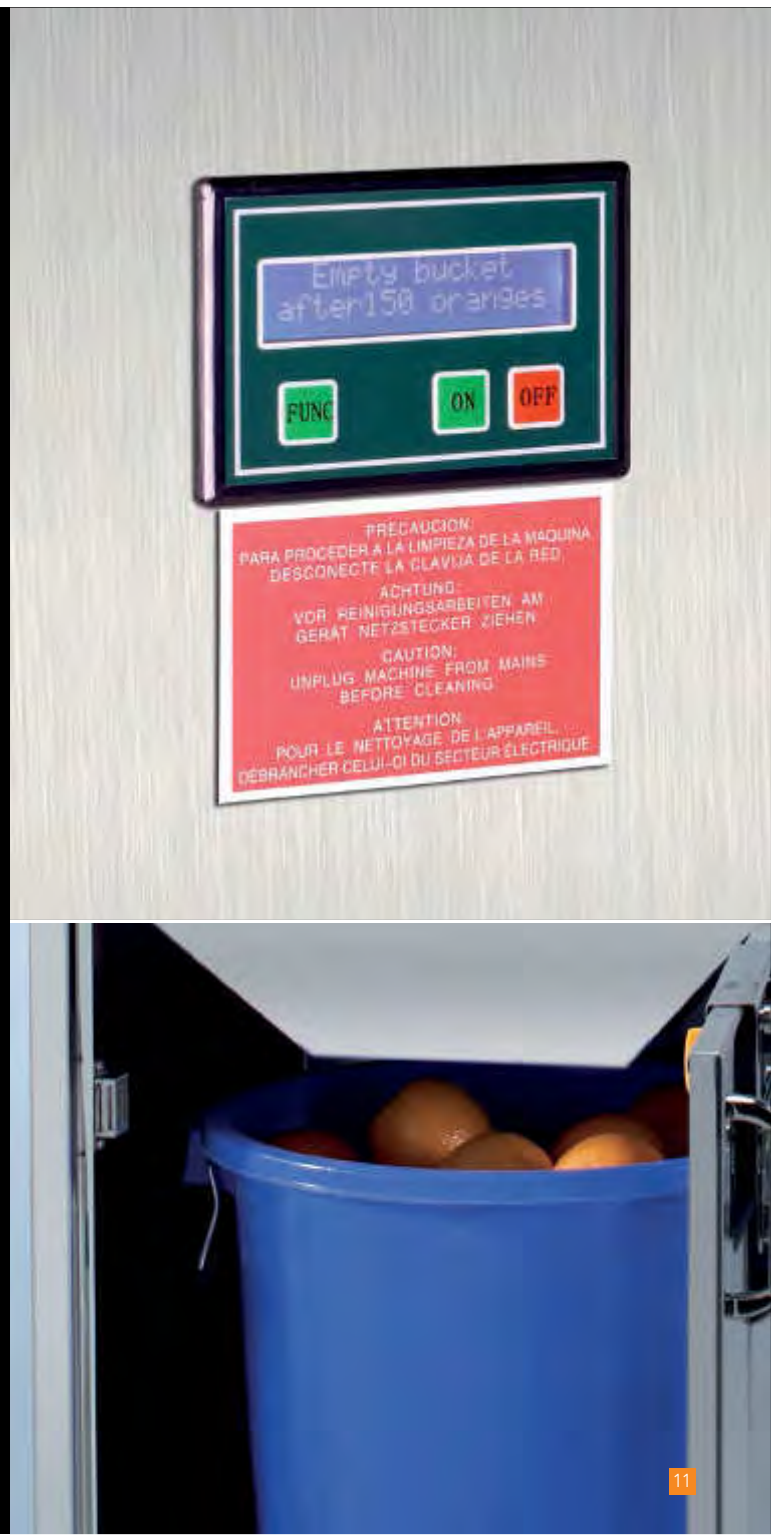


MODEL INTELLIGENCE

The intelligent modular design of the Fantastic models gives you the option to modify your machine at a later point in time and switch from self-service to staff-operated or vice versa. This saves costs and keeps you flexible.



PROFITABILITY



GREAT FOR ANY LOCATION



Perfect for any food-service establishment

Cafés, restaurants, bakeries, hotels, ... with the Citrocasa Fantastic you will not just meet your guests' taste, but also fulfill their desire for fresh and healthy nutrition. It's both an exciting and impressive way to demonstrate healthy living!





Perfect for your market

No produce or fresh-cut department should be without a Citrocasa Fantastic. The machine's modern stainless design will do far more than just make your store look great. With minimal space requirements, the Fantastic will amaze you with its performance, which far exceeds all other comparable juicers.



CITROCASA Fantastic M/AS *ADVANCE*

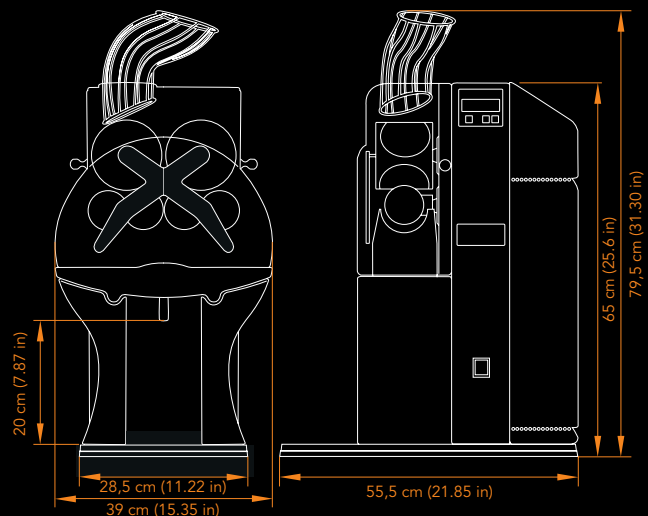
Ready, steady, go!



Ideal for locations with a high quality standard.

Great in terms of performance and ease of use: minimal cleaning time and effort and minimal space requirements.

- Automatic start with feeding of fruit
- Small footprint and minimal space requirements
- High squeezing capacity
- Double Cover and Cross Holder for fast and easy cleaning
- SCS Soft Cutting System for superior tasting juice
- Digital display with fruit counter
- Easy and user-friendly operation and cleaning
- Low level of operating noise
- MTS to keep sieve free of seeds and pulp
- Intelligent Stop for improved peel management
- Adaptable base plate for easy and flexible installation



CITROCASA Fantastic M/AS *ADVANCE* – Technical Specifications

Fruit per minute	Fruit supply	Optimal fruit size	Measurements (H x W x D)	Net weight	Power	Protection	Fuse
30 pcs.	-	Ø 65 – 78 mm / 2.55 – 3.15 in	79,5 x 39 x 55,5 cm / 31.30 x 15.35 x 21.85 in	43,5 kg / 95,9 lbs	0,2 kW	IPx1	6.3 A

CITROCASA Fantastic M/SB *ADVANCE*

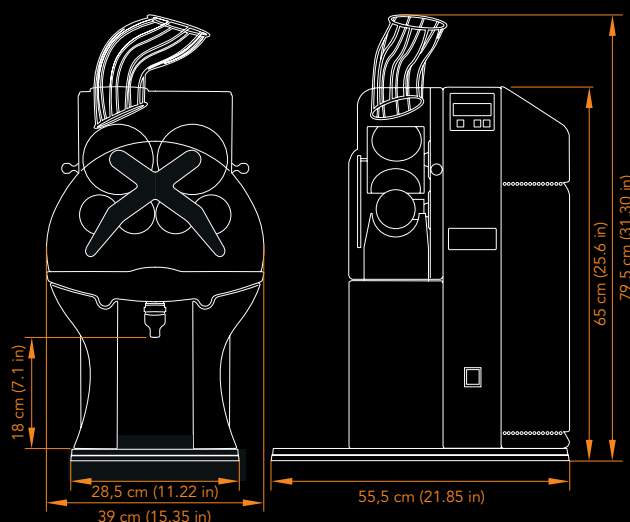
Self do, self have.



Aesthetics meet ease of use.

The Citrocasa Fantastic M/SB makes self-service an experience through cleverly designed technology.

- Juicing starts with pressing of tap
- Small footprint and minimal space requirements
- High squeezing capacity
- Double Cover and Cross Holder for fast and easy cleaning
- SCS Soft Cutting System for superior tasting juice
- Digital display with fruit counter
- Easy and user-friendly operation and cleaning
- Low level of operating noise
- MTS to keep sieve free of seeds and pulp
- Intelligent Stop for improved peel management
- Adaptable base plate for easy and flexible installation



CITROCASA Fantastic M/SB *ADVANCE* – Technical Specifications

Fruit per minute	Fruit supply	Optimal fruit size	Measurements (H x W x D)	Net weight	Power	Protection	Fuse
30 pcs.	-	Ø 65 – 78 mm / 2.55 – 3.15 in	79,5 x 39 x 55,5 cm / 31.30 x 15.35 x 21.85 in	43,5 kg / 95.9 lbs	0.2 kW	IPx1	6.3 A

CITROCASA Fantastic F/D *ADVANCE*

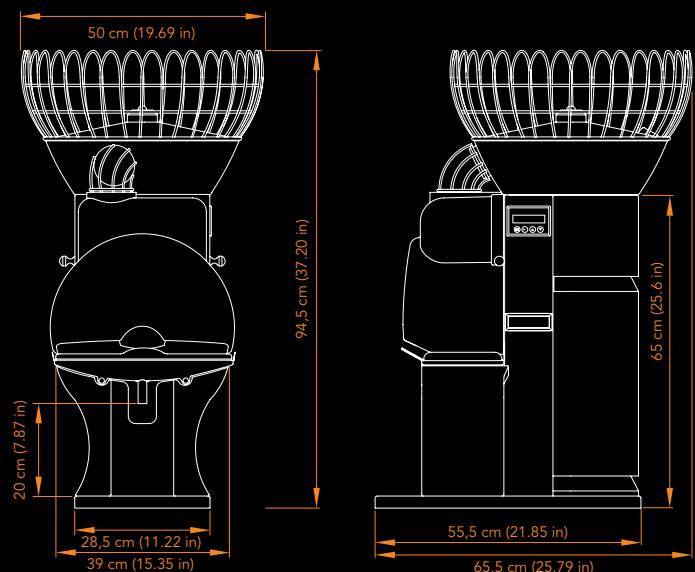
Design with inner values.



Cutting-edge technology for highest efficiency.

The Fantastic F/D is the ideal solution for quality- and efficiency-oriented food service establishments.

- Automatic fruit feeding
- High-capacity stainless steel fruit basket and hopper (17 kg / 37 lb of fruit)
- Programming quantity of fruits and On/Off operation
- Multifunctional digital display with fruit counter
- Small footprint and minimal space requirements
- Fast juicing (approx. 2 l / 0.5 gal per minute)
- Double Cover and Cross Holder for fast and easy cleaning
- SCS Soft Cutting System for superior tasting juice
- Easy and user-friendly operation and cleaning
- MTS to keep sieve free of seeds and pulp
- Intelligent Stop for improved peel management
- Adaptable base plate for easy and flexible installation



CITROCASA Fantastic F/D *ADVANCE* – Technical Specifications

Fruit per minute	Fruit supply	Optimal fruit size	Measurements (H x W x D)	Net weight	Power	Protection	Fuse
30 pcs.	17 kg / 37 lbs	Ø 65–78 mm / 2.55–3.15 in	94.5 x 50 x 65.5 cm / 37.20 x 19.69 x 25.79 in	55 kg / 121,3 lbs	0.2 kW	IPx1	6.3 A

CITROCASA Fantastic F/SB *ADVANCE*

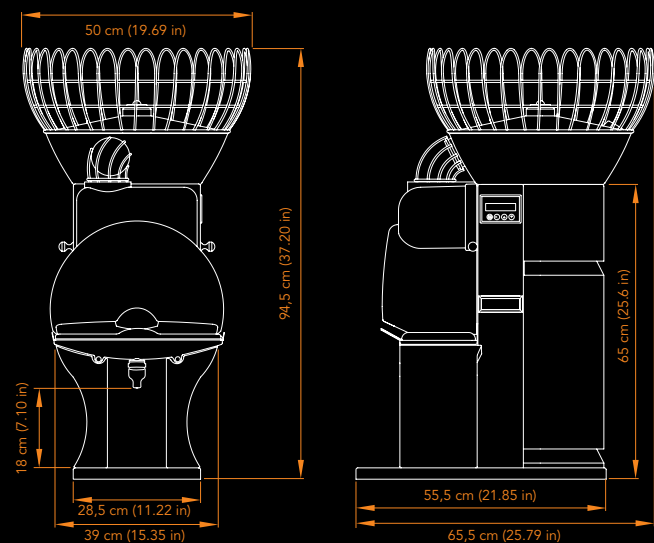
Elegance coupled with competitive advantage.



The new standard in self-service.

With its easy and highly efficient operation, the Fantastic F/SB will win you over and save you money. It's the perfect solution for grocery stores and self-service restaurants.

- Automatic fruit feeding
- High-capacity stainless steel fruit basket and hopper (17 kg / 37 lb of fruit)
- Machine starts pressing by pushing the self-service tap
- Multifunctional digital display with fruit counter
- Small footprint and minimal space requirements
- Fast juicing (approx. 2 l / 0.5 gal per minute)
- Double Cover and Cross Holder for fast and easy cleaning
- SCS Soft Cutting System for superior tasting juice
- Easy and user-friendly operation and cleaning
- MTS to keep sieve free of seeds and pulp
- Intelligent Stop for improved peel management
- Adaptable base plate for easy and flexible installation



CITROCASA Fantastic F/SB *ADVANCE* – Technical Specifications

Fruit per minute	Fruit supply	Optimal fruit size	Measurements (HxWxD)	Net weight	Power	Protection	Fuse
30 pcs.	17 kg 37 lbs	Ø 65 – 78 mm / 2.55 – 3.15 in	94,5 x 50 x 65,5 cm / 37.20 x 19.69 x 25.79 in	55,5 kg / 122.4 lbs	0.2 kW	IPx1	6.3 A

1 Fruit Supply Basket



Only for M Series

The optional fruit basket for the Fantastic M Series ensures that you and your guests always have fruit within reach. Total capacity approx. 13 kg / 28.6 lbs.

2 MTS Retrofit Kit



The MTS (Manual Transport System) keeps the sieve clean of seeds and pulp without having to remove it. Your classic Fantastic models can be retrofitted with this feature.

3 Straight Peel Container



For average quantities of orange peel, the larger straight peel container is the perfect solution. Ideal for up to 30 portions of 0.25 l / 8 oz. a day.

4 Pedestal / Distance Adapter



I. For bottles up to 22 cm / 8.7 inches
II. For glasses up to 15 cm / 5.9 inches
III. For glasses up to 11 cm / 4.3 inches

5 Countertop Installation Kit



With the Countertop Kit you can integrate your juicer into your counter. For this, the counter has to be cut to allow the peels to fall into a waste bucket placed underneath.

6 Bottle Dispenser



Keep your bottles handy with the optional bottle dispenser.

10 Glass Display



Available as 2- or 3-level design. Includes safety glass and stainless steel counter-top.

11 Tray Slide



Ideal for self-service and cafeteria-style setup.

12 Coin System



This additional device can be installed on each of our machines on request.

Optional accessories for high adaptability.

7 Fruit Basket Cover



Only for F Series

Lockable cover for fruit basket

8 Crushed Ice Cabinet



The Crushed Ice Cabinet is an attractive option to display your pre-filled bottles and keep them chilled.

9 Stainless Steel Cabinet



The Stainless Steel Cabinet is the perfect solution for your Citrocasas Fantastic when you need mobility and want to leverage your juicer's pressing capacities to the fullest.

13 Shop In Shop System



Modular juice island concept for super-markets, shopping malls, etc.

14 Lemon Kit



The Small Lemon/Lime Kit (pressing elements, peel ejectors, knife, fruit supply tunnel) allows you to press small citrus fruit 50 to 65 mm (1.96 to 2.55 inches).

